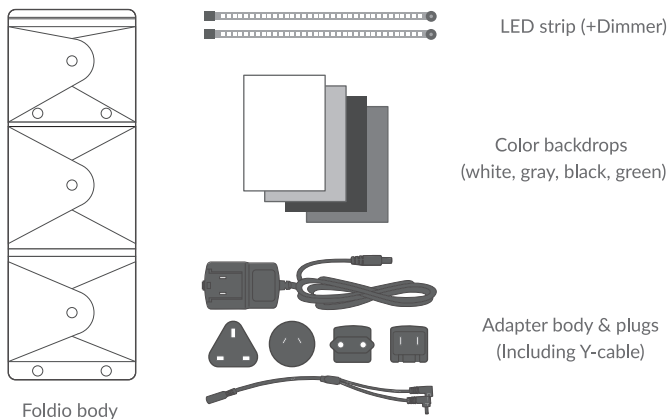


From the Orangemonkie Team.

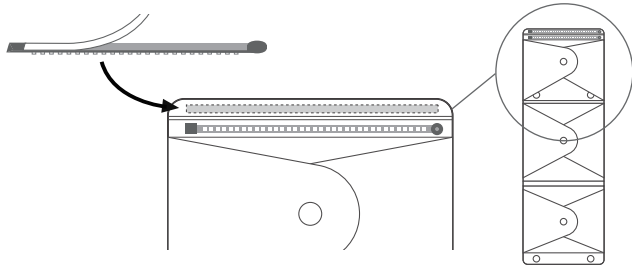
Thank you for purchasing Foldio2. We know you're eager to start using it right away, but please read the following instructions first to learn the best way to use Foldio2.

Components

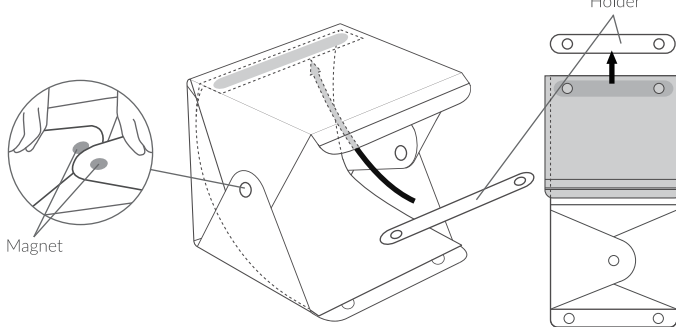


How to use

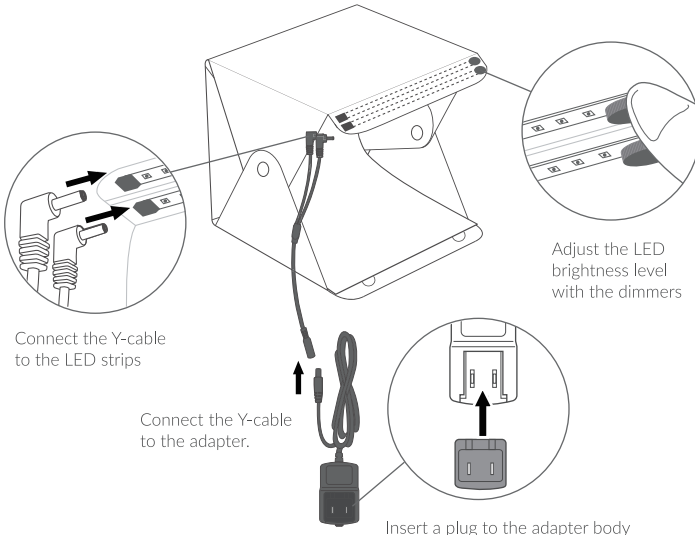
① Peel the cover off the LED strips / Attach the LED strips to the top front of the Foldio2 body.



② Assemble the Foldio by the magnets / Attach the holder to the top of the rear inside of the Foldio to fix the backdrop.



③ Connect the Y-cable to the LED strips & adapter / Adjust the brightness with the dimmers.

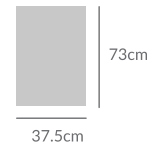


Specifications

Opened	15" x 15" x 15" (38 x 38 x 38 cm)
Collapsed	15" x 15" x 1" (38 x 38 x 2.5 cm)
Light	2 LED strips [54 chips, 162 cells], Daylight 5700k, white
Dimmer	Analog linear dimming
Adapter kit	12W International Adapter kit

Tips

The Backdrop



The basic Foldio2 backdrop set comprises 4 colored papers, white, gray, black, and green. You can use your own customized backdrops, for example, seamless and/or gradient paper, fabric, etc. For your information, the backdrop size is 37.5 x 73 cm (14.5 x 28.5").

Foldio Application

We have provided a FREE Foldio2 application. It will help you take better pictures in several ways. You can easily adjust brightness and color temperature. Also you can create awesome pictures with the chroma key function of the Foldio2 app. For now, the app is available only for iOS. An Android version is under development.

Please search for 'foldio' in the Appstore and download it.



ATTENTION

- Foldio2 is made of a thin, flexible plastic sheet. Do not fold it back and forth or you will damage it. The Returns & Exchange Policy does not cover this "incorrect or abusive use."
- To reduce the possibility of overheating or heat-related injuries, always allow adequate ventilation around LED strips and use care when handling it. It is not recommended to use the LED strips for periods longer than 12 hours at a time to prevent them from overheating. Turn the LED strips off after work. An LED strip is a sensitive electronic device that can be damaged by incorrect handling such as bending. The Returns & Exchange Policy does not cover abusive use of the LED strips. Once the LED strips are attached, they are difficult to remove. Carefully determine where you want each strip to be before you attach it.
- Do not use the adapter kit for purposes other than Foldio2.
- 1-YEAR LIMITED WARRANTY is limited to Product and is not applicable to (i) consumables such as backdrops; (ii) normal wear and tear; (iii) defects or damage caused by misuse, accident (including without limitation; collision, fire and the spillage of food or liquid), neglect, abuse, alteration, unusual stress, modification, improper or unauthorized repair or improper storage (iv) used not in accordance with the documentation; and (v) damage caused by or to the equipment with which the Product is used.
- Please refer to the Terms of Sale section of our website(www.orangemonkie.com) for more information.

Model Name: FOLDIO 2
 Manufacturer Name: ORANGEMONKIE
 S/N: MO600R

This device complies with part 15 of the FCC Rules.
 Operation is subject to the following two conditions:

- 1) This device may not cause harmful interference, and
- 2) This device must accept any interference received, including interference that may cause undesired operation.

Now, you are ready to use Foldio2. You can share pictures on Instagram and tag them #foldio. When you do, everyone will be inspired by your terrific pictures on <http://orangemonkie.com/foldiotag/>.

Please refer to the "Foldio2" section on our website for more information.

Thanks
 The Orangemonkie team
www.orangemonkie.com



Orangemonkie Inc. All rights reserved. Designed by in California and Made in Korea. <http://www.orangemonkie.com>